



US00D915639S

(12) **United States Design Patent**
Zhao

(10) **Patent No.:** **US D915,639 S**

(45) **Date of Patent:** **** Apr. 6, 2021**

(54) **PORTABLE LIGHT BULB**

(71) Applicant: **HongChun Zhao**, ShenZhen (CN)

(72) Inventor: **HongChun Zhao**, ShenZhen (CN)

(**) Term: **15 Years**

(21) Appl. No.: **29/744,110**

(22) Filed: **Jul. 27, 2020**

(51) **LOC (13) Cl.** **26-04**

(52) **U.S. Cl.**
USPC **D26/1**

(58) **Field of Classification Search**

USPC D26/1-7
CPC H01R 5/00; H01R 13/46; H01R 13/514;
H01R 31/048; H01R 31/02; H01J 5/00;
H01J 5/16; H01J 1/02; H01J 15/00; H01J
5/48; H01J 5/50; H01J 19/54; F21V 5/00;
F21K 9/00; F21K 13/00

See application file for complete search history.

(56) **References Cited**

U.S. PATENT DOCUMENTS

5,183,330 A	2/1993	Rishel et al.	
D508,291 S	* 8/2005	Janssen	D26/1
D548,857 S	* 8/2007	Egawa	D26/1
D600,836 S	* 9/2009	Hanley	D26/1
D625,847 S	* 10/2010	Maglica	D26/1
D626,255 S	* 10/2010	Hiratsuka	D26/1
D636,116 S	4/2011	Kim et al.	
D701,333 S	3/2014	Wen	
D739,970 S	9/2015	Chin	
D764,097 S	8/2016	Hamel et al.	

D827,880 S	9/2018	Chen et al.
D847,414 S	4/2019	Danesh et al.
D858,865 S	9/2019	Ai
10,429,020 B2	10/2019	Grandadam
D876,675 S	2/2020	Grandadam
D883,548 S	5/2020	Hand et al.

* cited by examiner

Primary Examiner — Marcus A Jackson

(74) *Attorney, Agent, or Firm* — iPA & iPM

(57) **CLAIM**

The ornamental design for a portable light bulb, as shown and described.

DESCRIPTION

FIG. 1 is a first perspective view from above of a portable light bulb showing my new design;
 FIG. 2 is a left side view thereof;
 FIG. 3 is a front view thereof;
 FIG. 4 is a top view thereof;
 FIG. 5 is a bottom view thereof;
 FIG. 6 is a back view thereof;
 FIG. 7 is a right side view thereof;
 FIG. 8 is a perspective view of a suction cup fitted into one of a plurality of slots for attachment purpose;
 FIG. 9 is a perspective view of hanging the portable light bulb via a string and a magnet paired with one of a plurality of positions on the portable light bulb; and
 FIG. 10 is a second perspective view from below of the portable light bulb.
 Broken lines are for illustration purposes and form no part of the claimed design.

1 Claim, 9 Drawing Sheets

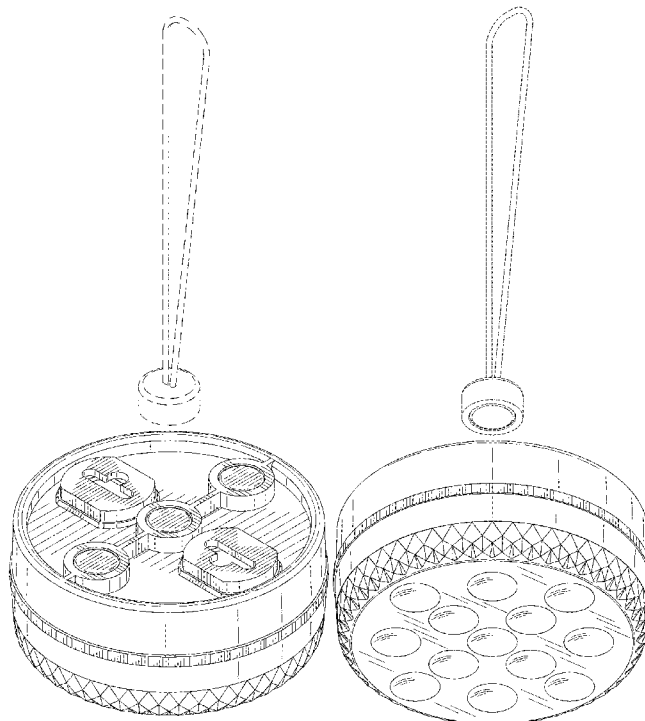
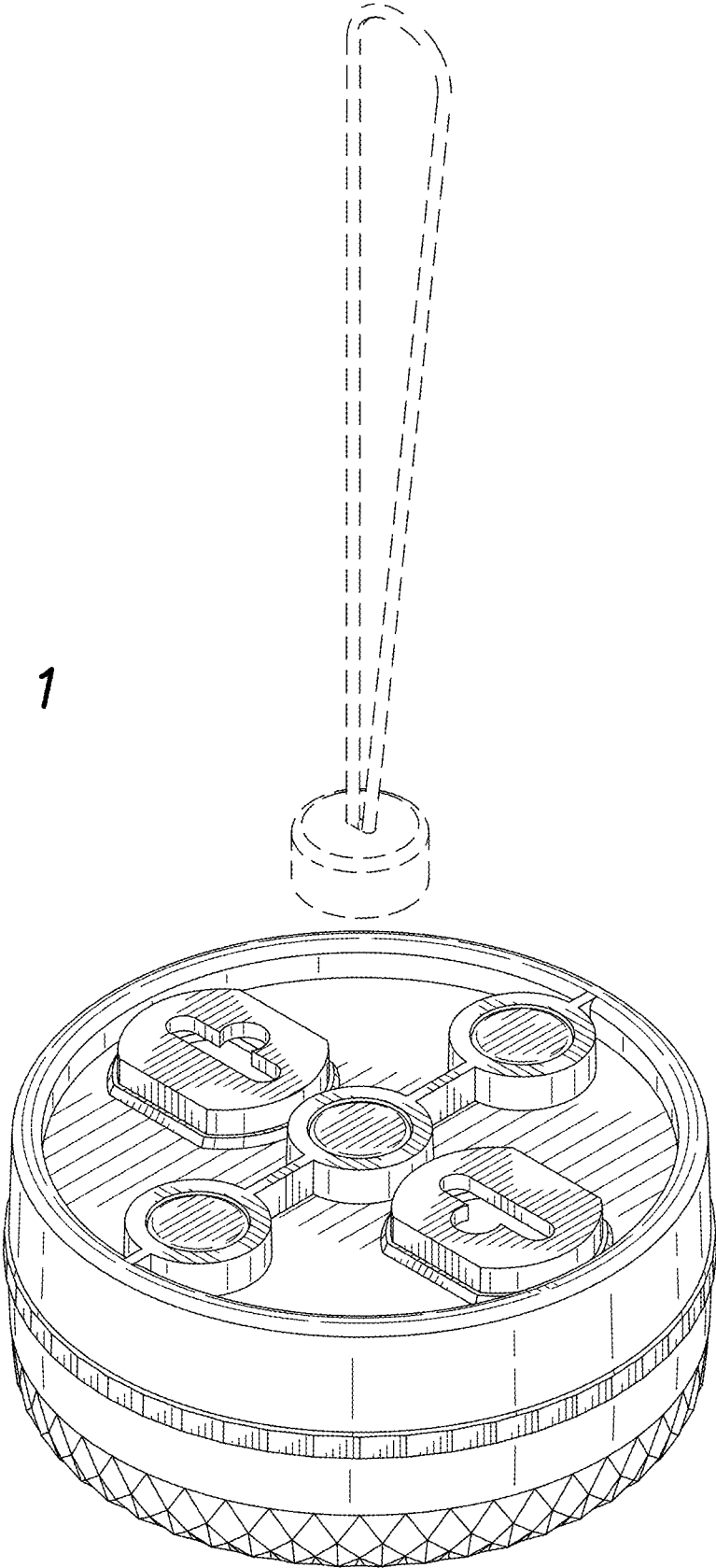


FIG. 1



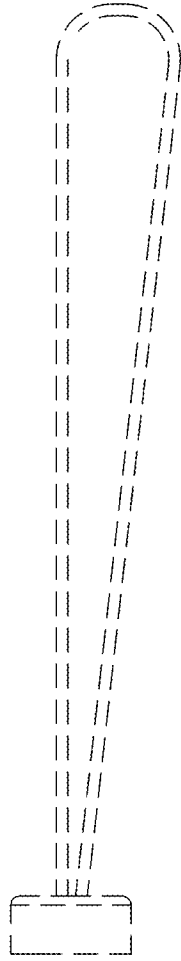
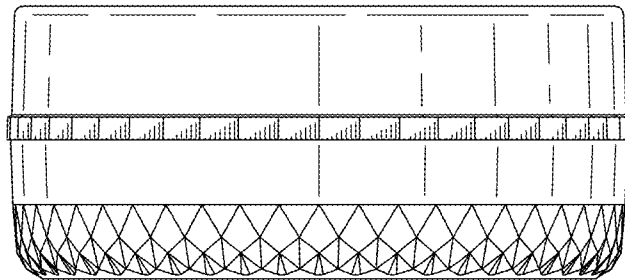


FIG. 2



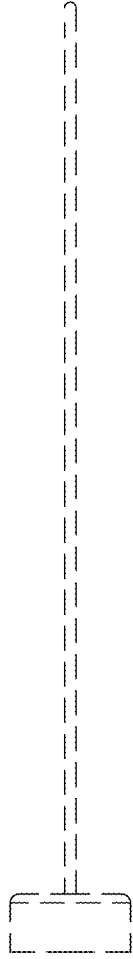
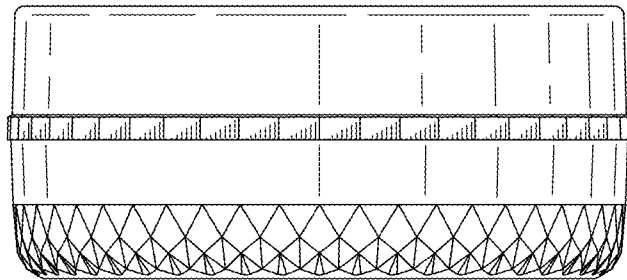


FIG. 3



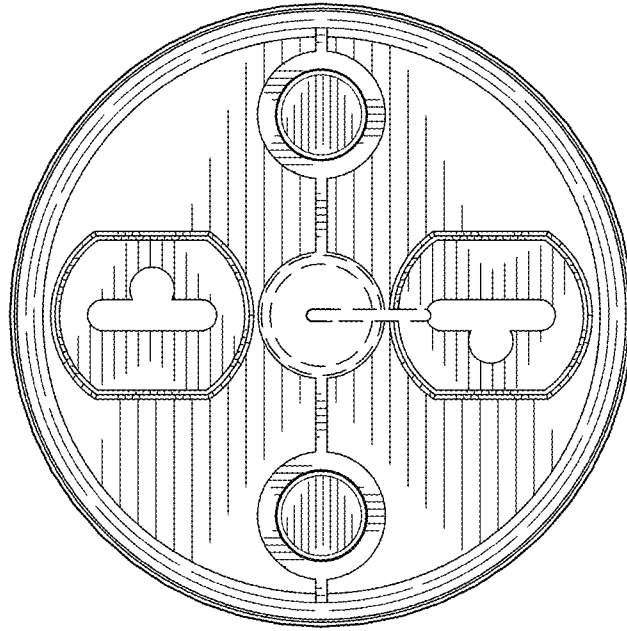


FIG. 4

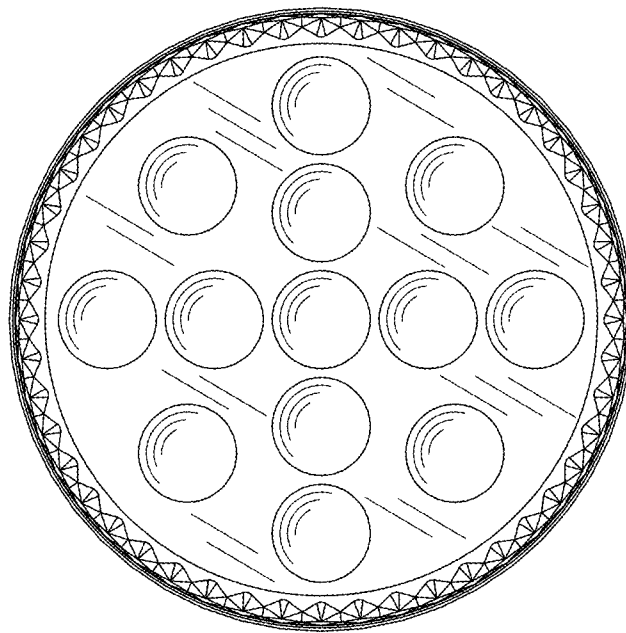


FIG. 5

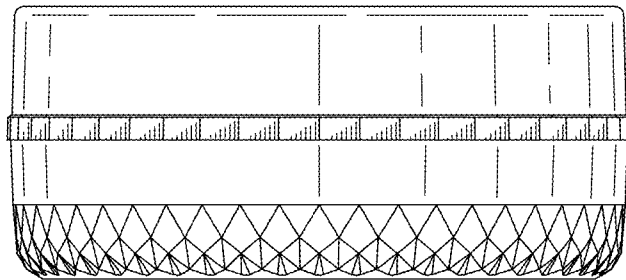
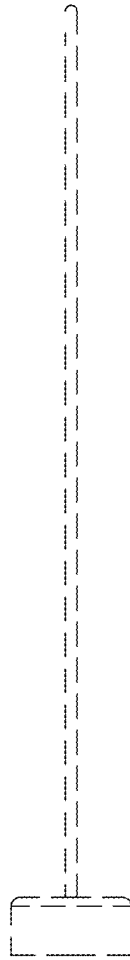


FIG. 6

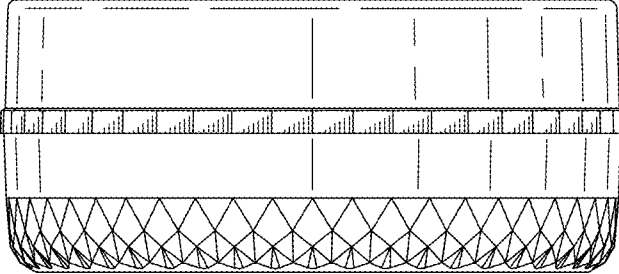
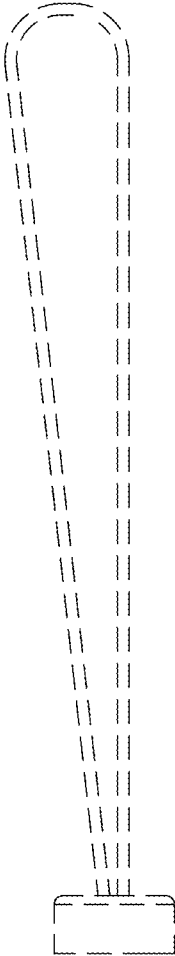


FIG. 7

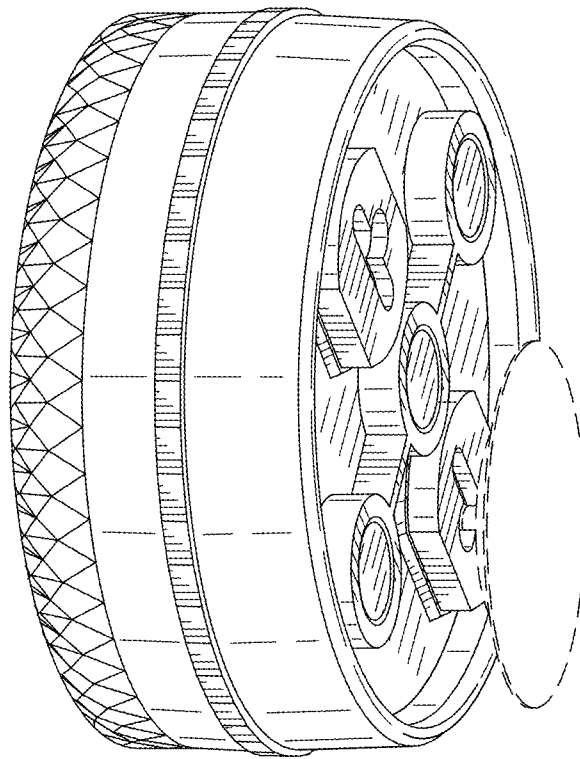
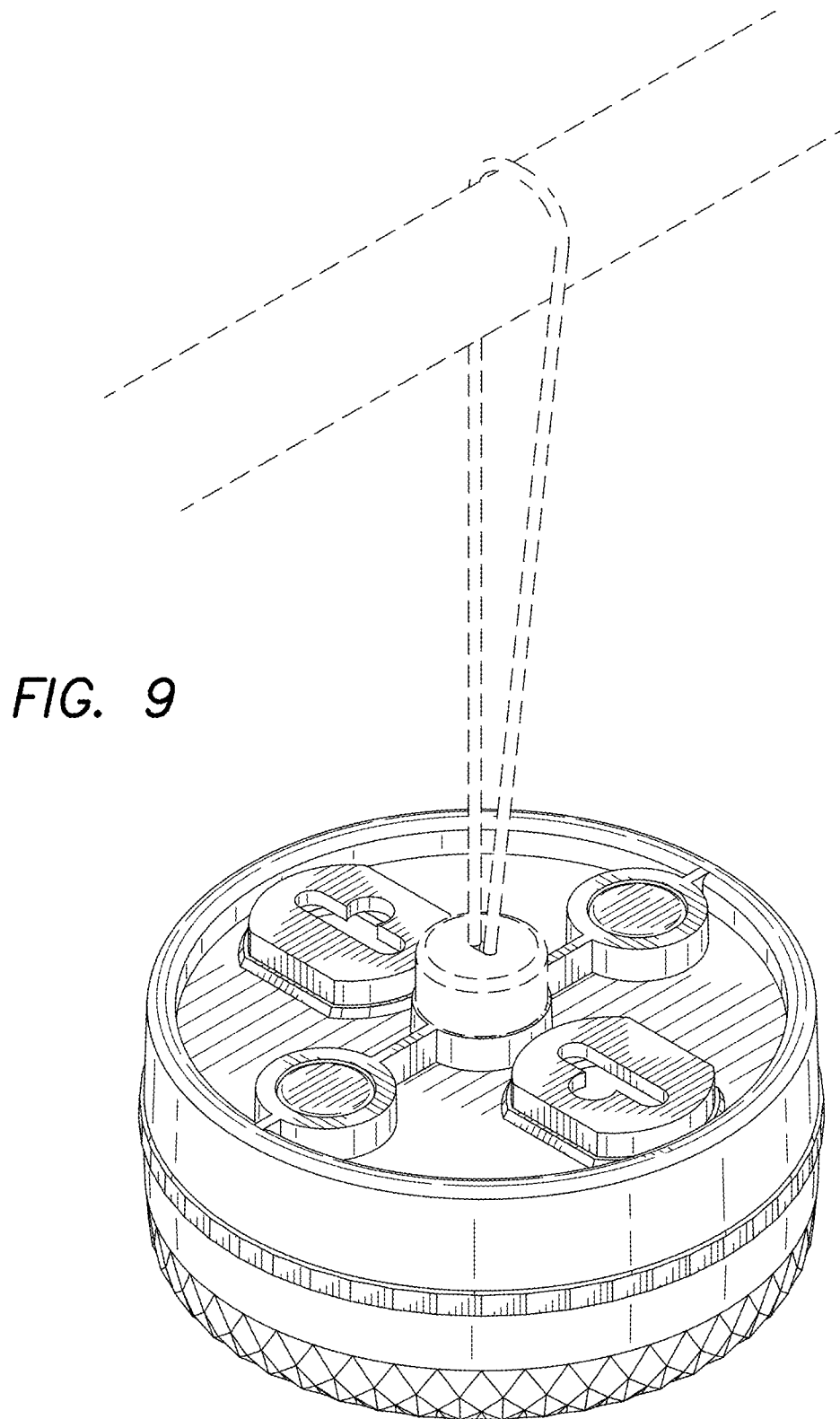


FIG. 8



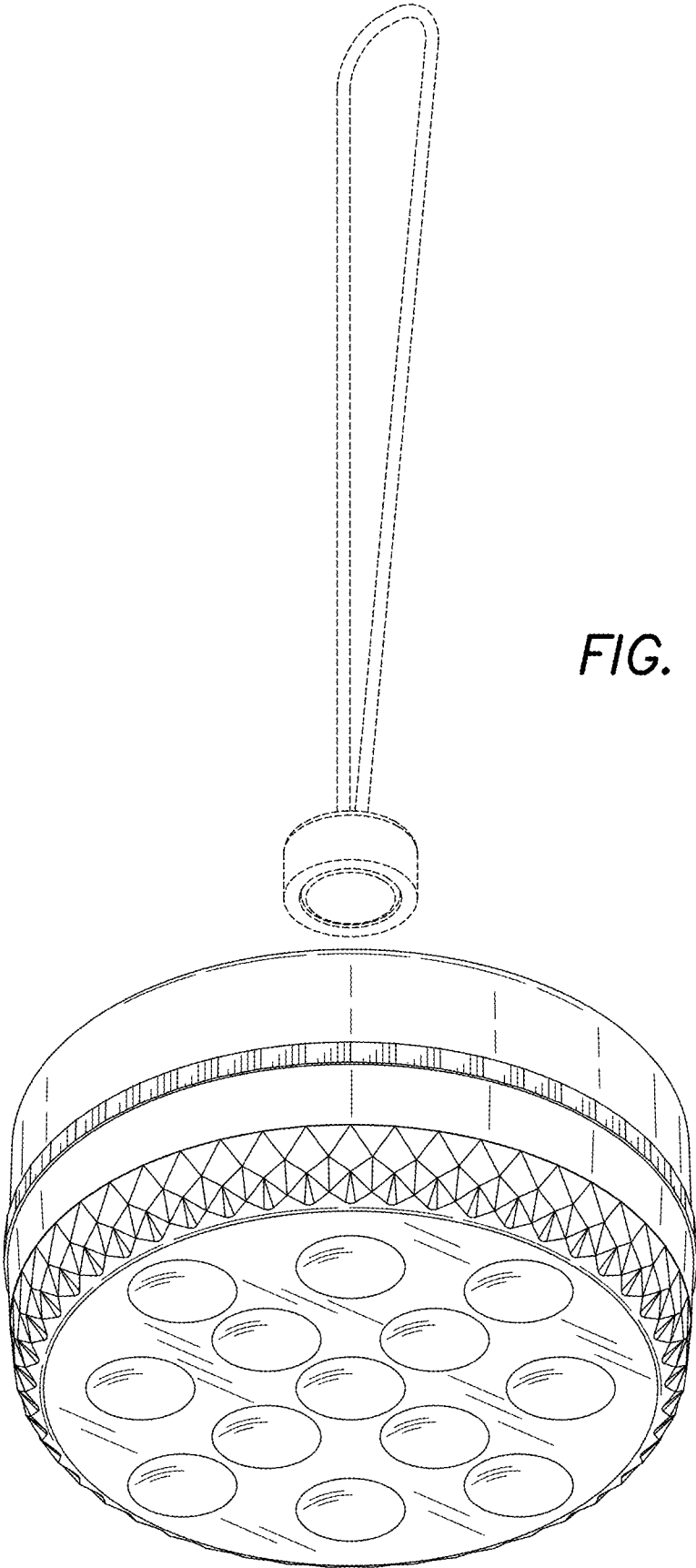


FIG. 10